



SPD 20kV UNV SNC

Surge protection

Product description

- Universal use for street, tunnel or object lighting
- Flexible installation (on mounting plate)
- Compact design
- UL 1449 type 5 (safety standard)
- IEEE C62.41.2 2002 (performance standard)
- 5-year guarantee

Housing properties

- Type of protection IP67
- Wet locations



Standards, page 3



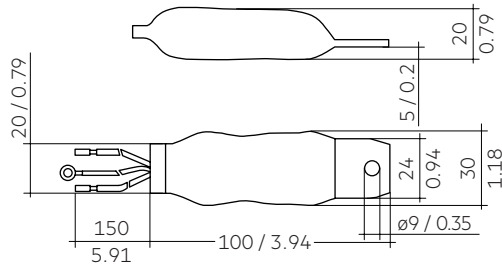
IP67  

SPD 20kV UNV SNC

Surge protection

Technical data

Rated supply voltage	120 – 277 V
AC voltage range	120 – 320 V
Mains frequency	50 / 60 Hz
Mode of protection	L-N, L/N-G
AC system	TN
Nominal discharge current (8/20 µs)	10 kA
Max. discharge current (8/20 µs)	20 kA
Combination wave (1.2/50 µs)	20 kV (10 kA)
Voltage protection level (at nominal discharge current (8/20 µs))	≤ 19 kV
Measured limiting voltage (at nominal discharge current (8/20 µs) and at combination wave (1.2/50 µs))	≤ 187 kV
TOV behavior (withstand)	337 V AC
TOV behavior (disconnection)	442 V AC
Ambient temperature t_a	-40 ... +85 °C / -40 ... +185 °F
t_c	85 °C / 185 °F
Type of protection	IP67
Dimensions L x W x H	100 x 30 x 20 mm / 3.94 x 1.18 x 0.79 inch



Dimensions in mm / inch

Ordering data

Type	Article number	Packaging carton	Packaging, pallet	Weight per pc.
SPD 20kV UNV SNC	28002170	50 pc(s).	6,400 pc(s).	0.18 kg / 0.4 lbs

1. Standards

UL 1449
CSA C22.2
IEEE C62.41.2 2002

Product not designed for European Economic Area.

1.1 Glow-wire test

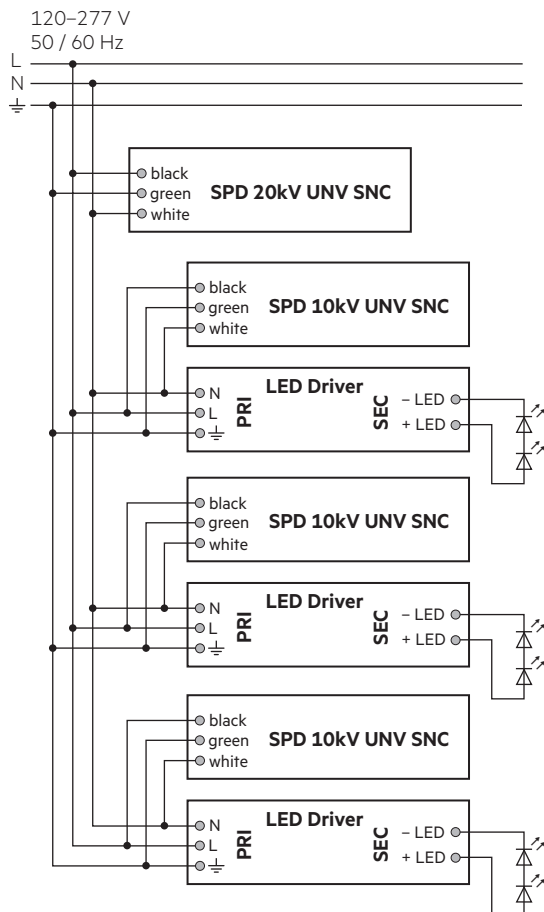
according to EN 61643-11 with increased temperature of 850 °C / 1,562 °F passed.

2. Guarantee conditions

5-year guarantee of the product.
Surge capability: 10 x 20 kV Combination Wave pulses (1.2 / 50 µs).

3. Installation / wiring

3.1 Circuit diagrams

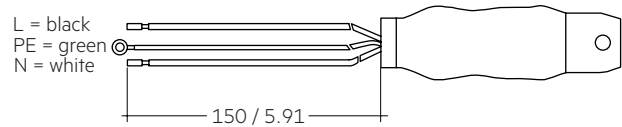


SPD 20kV UNV SNC can only be used in combination with SPD 10kV UNV SNC to protect LED Drivers properly.

SPD 10kV UNV SNC has to be placed as close as possible to the LED Driver.
Only one SPD 20kV UNV SNC per circuit breaker is required.

SPD is wired in parallel to the Driver.
In case of defect SPD, Driver still is powered but not surge protected anymore.

wire assignment		
L	N	PE
black	white	green



3.2 Wiring type and cross section

The prepared wires have a cross section of 1.5 mm² / 16AWG.
The black (L) and white (N) wires ends are stripped (15 mm / 0.59 inch) and soldered.
The white (PE) wire has a cable lug in the end with a hole size diameter of 5.2 mm / 0.2 inch.

5. Miscellaneous

5.1 Conditions of storage

Humidity: 5% up to max. 75%, not condensed

Storage temperature: -10 °C up to max. +40 °C (long term)
14 °F up to max. +104 °F (long term)
-40 °C up to max. +85 °C (24 hours)
-40 °F up to max. +185 °F (24 hours)

5.2 Additional information

Additional technical information at www.tridonic.com → Technical Data

Guarantee conditions at www.tridonic.com → Services

Life-time declarations are informative and represent no warranty claim.
No warranty if device was opened.